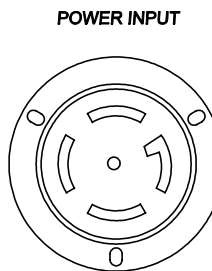
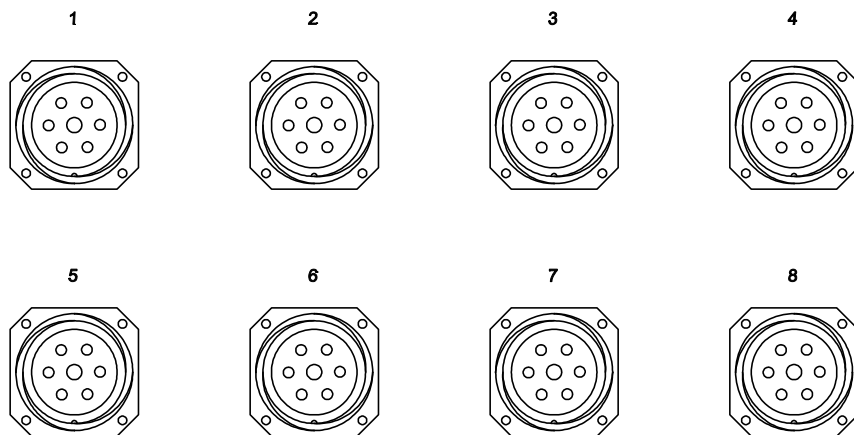
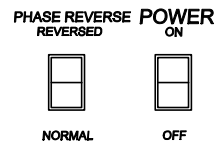
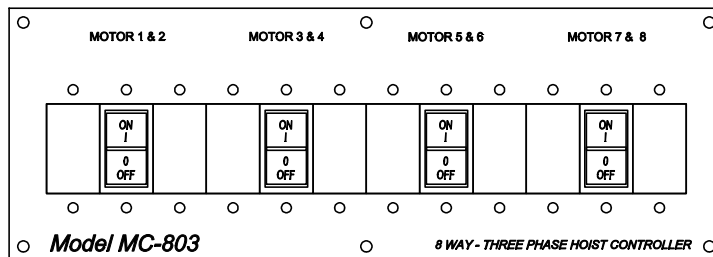


REVISIONS

Applied
Electronics
MCP Series Hoist Controller

PHASE A PHASE B PHASE C PHASE NORMAL PHASE REVERSED POWER



- 7 PIN CONFIG -
- 1 - X - L1
- 2 - Y - L2
- 3 - Z - L3
- 4 - UP CONTROL
- 5 - GROUND
- 6 - COM CONTROL
- 7 - DOWN CONTROL

THIS DRAWING CONTAINS DESIGNS AND OTHER INFORMATION WHICH ARE THE PROPERTY OF APPLIED ELECTRONICS. THIS DRAWING MAY NOT, IN WHOLE OR IN PART BE DUPLICATED OR DISCLOSED OR USED FOR MANUFACTURE OF THE PART DISCLOSED HEREIN, WITHOUT THE PRIOR WRITTEN PERMISSION OF APPLIED ELECTRONICS, NEWPORT NEWS, VIRGINIA, USA.

DRAWN		DATE		TITLE	
J. LENARD		12/12/12		8ch 3 Phase Pelican Controller	
CHECK				SIZE	
DESIGN				CODE IDENT.	
APPROVAL				DWS NO.	
APPROVAL				SCALE	
		FULL		SHEET 1 OF 1	

APPLIED ELECTRONICS
722 BLUE CRAB RD., NEWPORT NEWS, VA 23606