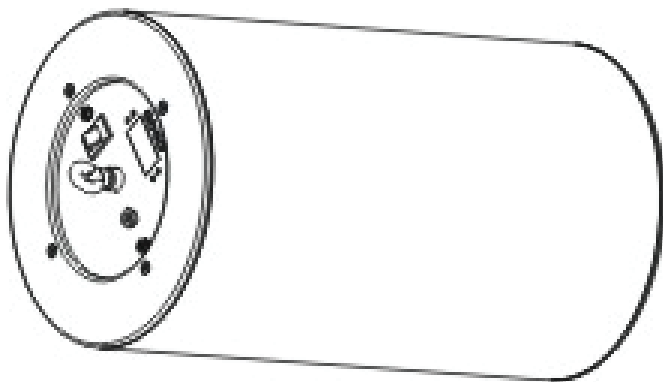




# Event Cylinder DMX



## User Instructions

### Event Cylinder DMX

### General Information

**Unpacking:** Thank you for purchasing the Event Cylinder DMX by Elation Professionals®. Every Event Cylinder DMX has been thoroughly tested and has been shipped in perfect operating condition. Carefully check the shipping carton for damage that may have occurred during shipping. If the carton appears to be damaged, carefully inspect your fixture for any damage and be sure all equipment necessary to operate the unit has arrived intact. In the event damage has been found or parts are missing, please contact our toll free customer support number for further instructions. Please do not return this unit to your dealer without contacting customer support first.

**Introduction:** The Event Cylinder DMX is a DMX intelligent RGB LED fixture. The Event Cylinder DMX has 4 DMX Modes; 1 Channel Mode, 3 Channel Mode, 4 Channel Mode, & 6 Channel Mode. The fixture has six operating modes; show mode, sound active mode, fade mode, static color mode, manual mode, & DMX controlled.

**Customer Support:** Elation Professionals® provides a toll free customer support line, to provide help and to answer any question should you encounter problems during your set up or initial operation. You may also visit us on the web at [www.elationlighting.com](http://www.elationlighting.com) for any comments or suggestions. Service Hours are Monday through Friday 8:00 a.m. to 4:30 p.m. Pacific Standard Time.

Voice: (323) 582-3322

Fax: (323) 832-9142

E-mail: [support@elationlighting.com](mailto:support@elationlighting.com)

To purchase parts online visit <http://parts.elationlighting.com>

**Warning!** To prevent or reduce the risk of electrical shock or fire, do not expose this unit to rain or moisture.

**Warning!** This may cause severe eye damage. Avoid looking directly into the light source at all times!

## Event Cylinder DMX

## General Instructions

To optimize the performance of this product, please read these operating instructions carefully to familiarize yourself with the basic operations of this unit. These instructions contain important safety information regarding the use and maintenance of this unit. Please keep this manual with the unit, for future reference.

## Event Cylinder DMX

## Features

- 4 DMX Modes; 1 Channel Mode, 3 Channel Mode, 4 Channel Mode, & 6 Channel Mode
- 6 Operating Modes - Show Mode, Fade Mode, Static Color Mode, Sound Active Mode, Manual Mode & DMX Control
- Digital Display for Address and Function Setting
- Electronic Dimming (0-100%)
- 32 Macros (6 Ch. Mode)

## Event Cylinder DMX

## Warranty Registration

The Event Cylinder DMX carries a 2 year (730 days) limited warranty. Please fill out the enclosed warranty card to validate your purchase and warranty. You may also register your product online at [www.elationlighting.com](http://www.elationlighting.com). All returned service items whether under warranty or not, must be freight pre-paid and accompany a return authorization (R.A.) number. If the unit is under warranty you must provide a copy of your proof of purchase invoice. Please contact Elation® customer support for a R.A. number.

## Event Cylinder DMX

## Handling Precautions

**Caution!** There are no user serviceable parts inside this unit. Do not attempt any repairs yourself, doing so will void your manufacturer's warranty. In the unlikely event your unit may require service please contact Elation Professionals®.

*During operation the housing may become hot. Avoid touching the unit with bare hands while in use.*

*Elation Professionals® will not accept any liability for any resulting damages caused by the non-observance of this manual or any unauthorized modification to this unit.*

## Event Cylinder DMX

## Safety Precautions

***For Your Own Personal Safety, Please Read and Understand This Manual Completely Before You Attempt To Install Or Operate This Unit!***

- To reduce the risk of electrical shock or fire, do not expose this unit rain or moisture
- Do not spill water or other liquids into or on to your unit.
- Do not attempt to operate this unit if the power cord has been frayed or broken.
- Do not attempt to remove or break off the ground prong from the electrical cord. This prong is used to reduce the risk of electrical shock and fire in case of an internal short.
- Disconnect from main power before making any type of connection.
- Do not remove the cover under any conditions. There are no user serviceable parts inside.
- Never operate this unit when it's cover is removed.
- Always be sure to mount this unit in an area that will allow proper ventilation. Allow about 6" (15cm) between this device and a wall.
- Do not attempt to operate this unit, if it becomes damaged.
- This unit is intended for indoor use only, use of this product outdoors voids all warranties.
- Always mount this unit in safe and stable matter.
- Power-supply cords should be routed so that they are not likely to be walked on or pinched by items placed upon or against them, paying particular attention to cords at plugs, convenience receptacles, and the point where they exit from the appliance.
- Cleaning -The fixture should be cleaned only as recommended by the manufacturer. See page 17 for cleaning details.
- Heat -This fixture should be situated away from heat sources such as radiators, heat registers, stoves, or other appliances (including amplifiers) that produce heat.
- The fixture should be serviced by qualified service personnel when:
  - A. Objects have fallen, or liquid has been spilled into the appliance.
  - B. The appliance has been exposed to rain or water.
  - C. The appliance does not appear to operate normally or exhibits a marked change in performance.

## Event Cylinder DMX

## Set Up

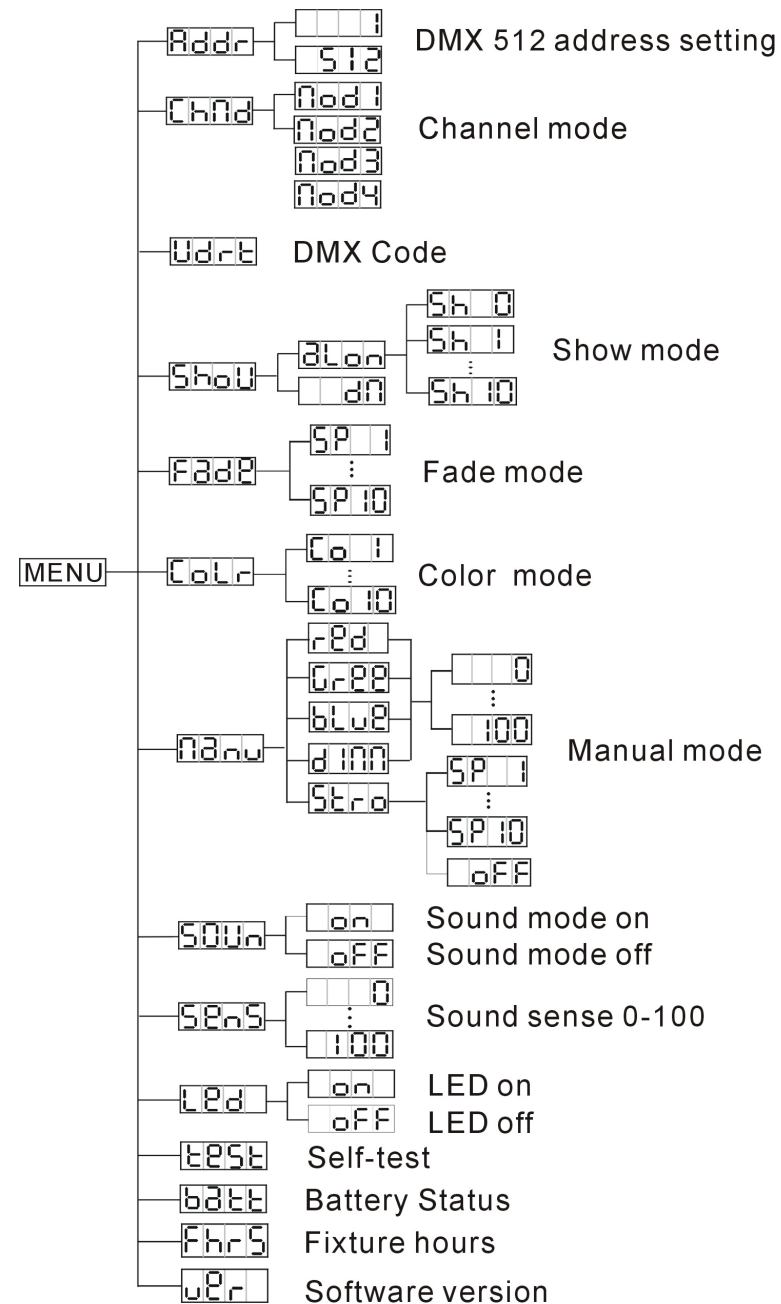
**Power Supply:** Before plugging your unit in for charging, be sure the source voltage in your area matches the required voltage for your Elation Professionals® Event Cylinder DMX. Because line voltage may vary from venue to venue, you should be sure your unit voltage matches the wall outlet voltage before attempting to operate you fixture. Also be sure to only use the included power adaptor supplied with the unit, this cable matches the voltage and current requirements of the unit.

**DMX-512:** DMX is short for Digital Multiplex. This is a universal protocol used by most lighting and controller manufactures as a form of communication between intelligent fixtures and controllers. A DMX controller sends DMX data instructions from the controller to the fixture. DMX data is sent as serial data that travels from fixture to fixture via the DATA “IN” and DATA “OUT” XLR terminals located on all DMX fixtures (most controllers only have a DATA “OUT” terminal).

The Event Cylinder DMX has 4 DMX channel modes; 1 Channel Mode, 3 Channel Mode, 4 Channel Mode, & 6 Channel Mode. The DMX address is set electronically using the controls on the top panel of the unit.

## Event Cylinder DMX

## System Menu



**Addr - DMX Address Setting.**

1. Press the MENU button until “Addr” is displayed, press ENTER.
2. The current address will now be displayed and flashing. Press the UP or DOWN buttons to find your desired address. When you have found your desired DMX address press ENTER.
3. Please see page 13 to activate DMX control.

**Chnd - In this menu you can choose your desired DMX channel mode. There are 4 DMX Channel Modes to choose from. Please see page 13 for DMX Control.**

1. Press the MENU button until “Chnd” is displayed, press ENTER. Either “Mod 1” (1 Channel Mode), “Mod 2” (3 Channel Mode), “Mod 3” (4 Channel Mode), or “Mod 4” (6 Channel Mode) will be displayed
2. Press the UP or DOWN buttons to choose your desired DMX mode and press ENTER to confirm and exit.

**Udrt - This function is used to clear the wireless DMX signal. Please see page 13 for DMX Control.****ShoU - In this mode you can choose 1 of 10 shows to run. Shows can run with or without sound activity. This submenu is also used to set up wireless DMX control. See page 13 for DMX Control.**

1. Press the MENU button until “ShoU” is displayed, press ENTER.
2. Either “aLon” or “dn” will be displayed. To select a show, press the UP or DOWN buttons so that “aLon” is displayed, and press ENTER.

3. “Sh X” will now be displayed, “X” representing a number between 0-10. Programs 1-10 are factory programs, while “Sh 0” is random mode. Press the UP or DOWN buttons to find your desired show.

4. When you have found your desired show press ENTER, then press and hold the MENU button for at least 3 seconds to activate. After you have set your desired show, it can be changed at any time using the UP or DOWN buttons.

**Fade - This menu will activate the Fade mode.**

1. Press the MENU button until “Fade” is displayed, press ENTER.
2. “SP X” will now be displayed, “X” representing a number between 1-10. This is fade speed adjustment; 1 being the slowest fade and 10 being the fastest. Press the UP or DOWN buttons to adjust the fade speed to your desire.
3. When you have found your desired fade speed press ENTER, then press and hold the MENU button for at least 3 seconds to activate.

**CoLr - This menu will color mode and let you select a color to remain static.**

1. Press the MENU button until “CoLr” is displayed, press ENTER.
2. “Co X” will now be displayed, “X” representing a number between 1-10. Numbers 1-10 are the static colors to choose from. Use the UP or DOWN buttons to scroll through the 10 colors.
3. When you have found your desired color press ENTER, then press and hold the MENU button for at least 3 seconds to activate.

**nanU - In this mode you can manually adjust the RGB**

**LED intensity to create your desired color. You can dim your desired color once it is created and activate and control strobing.**

1. Press the MENU button until “nanu” is displayed, press ENTER. “RED” will now be displayed, press ENTER. Use the UP or DOWN buttons to adjust to your desired intensity. Press ENTER after the intensity adjustment.

**NOTE: You do not have to adjust Red first or adjust it at all, you can use the UP & DOWN buttons to scroll to the colors you would like to adjust. The colors that can be adjusted are Red, Green, & Blue.**

2. After you press ENTER then press UP and the unit will scroll to the next color that can be adjusted. Press ENTER and use the UP and DOWN buttons to adjust the color.

3. Continue to make adjustments to the colors until your desired color is reached. After adjusting Blue, press ENTER then press the UP button.

4. “DINN” will be displayed, press ENTER. This is the master dimmer control. In this submenu you can adjust the intensity of your created color. Use the UP and DOWN buttons to adjust the intensity.

5. Press ENTER once you have adjusted the master dimmer. Press the UP button and “STRO” will be displayed. This is the strobe function. If you choose to activate strobe, press ENTER. Use the UP and DOWN buttons to adjust the speed of the strobe, or to turn the strobing off. Press ENTER once you have made your adjustments.

6. Once your desired color and settings are reached press and hold the MENU button for at least 3 seconds to confirm and activate.

## **SOU n - Sound Active mode.**

1. Press the MENU button until “SOU n” is displayed, press ENTER.
2. The display will show either “ON” or “OFF”. Press the UP or DOWN buttons to select “ON” to activate sound active mode, or “OFF” to deactivate sound active mode.
3. Press ENTER, then press and hold the MENU button for at least 3 seconds to activate.

## **SenS - In this mode you can adjust the sound sensitivity.**

1. Press the MENU button until “SenS” is displayed, press ENTER.
2. A number between 0-100 will be displayed. Press the UP or DOWN buttons to adjust the sound sensitivity. 0 being the least sensitive, and 100 being the most sensitive.
3. When you have found your desired setting press ENTER to confirm.

## **Led - With this function you can have the LED display turn off after 20 seconds.**

1. Press the MENU button until “Led” is displayed, press ENTER.
2. The display will show either “ON” or “OFF”. Press the UP or DOWN buttons to select “ON” to keep the LED display On at all times, or “OFF” so that the LED display turns off after 20 seconds.
3. Press ENTER to confirm. To make the LED display reappear after it has turned off, press any button.

## **teSt - This function will run a self test program.**

1. Press the MENU button until “teSt” is displayed, press

ENTER.

2. The fixture will now run a self test program. To stop the self test press the MENU button.

### **batt** - In this mode you can check the battery status.

1. Press the MENU button until “batt” is displayed, press ENTER.

2. The display will now show the battery status. Press MENU to exit.

### **FhrS** - With this function you can display the running time of the unit.

1. Press the MENU button until “FhrS” is displayed, press ENTER.

2. The display shows the running time of the unit. Press MENU to exit.

### **Ver** - Use this function to display the Software version of the unit.

1. Press the MENU button until “ver” is displayed, press ENTER.

2. The display will show the software version.

The LED located on the front of the unit lets you know the current status of the battery.

- When the Orange LED is fully lit the fixture is fully charged.
- When the LED begins flash slowly, the charge is getting low.
- When the LED begins to flash rapidly it means that the battery is going to die soon and needs charging.

**NOTE: When the LED indicator starts flashing fast, indicating the battery is about to die, it is best to stop using the unit, and start charging it. If you let the battery die completely, recharging a completely dead battery is very hard on the unit and will take some time.**

**Battery Recharge:** To recharge the battery, plug the charger into the front of the unit and plug the other end into a matching power supply. It takes about 6 hours to reach full charge.

**Battery Life:** The length of the battery life depends on how the fixture is being used.

- When running the unit full on, the battery will last about 6 hours.
- When running a single static color, the battery will last about 15 hours.
- When running show mode, the battery will last about 9 hours.
- When running fade mode, the battery will last about 10 hours.



## Event Cylinder DMX

## Universal DMX Control

**Universal DMX Control:** This function allows you to use a Elation® universal DMX-512 controller to create unique programs tailored to your individual needs. **NOTE: Wireless Transmitter sold separately.**

1. First, set your desired DMX channel mode. To set the DMX channel mode see page 7. The Event Cylinder DMX has 4 DMX channel modes; a 1 Channel Mode, 3 Channel Mode, 4 Channel Mode, and 6 Channel Mode. See pages 14-16 for the DMX modes & traits.
2. After you have set your DMX Channel mode, set your DMX address. Follow the instructions on page 7 to set the DMX address.
3. Connect your DMX controller to the Wireless transmitter's DMX Input.
4. This next step is very important for setting up wireless DMX connection. Press the MODE button so that "ShoU" is displayed, and press ENTER. Either "alon" or "dn" will be displayed. Press the UP or DOWN buttons so that "dn" is displayed and press ENTER. Immediately after you have pressed ENTER, press the FUNCTION button on the Wireless Transmitter. Both the LED on the Event Cylinder DMX and the status LED on the Wireless Transmitter will begin to flash, indicating that they are both searching for a signal.
5. If the signal connection is successful, the status LED on the transmitter will glow green, and Event Cylinder DMX will display the DMX address that you set before. **NOTE: Once the connection is successful, the wireless connection will be available at all times.**
6. To clear/stop the signal, Press the MODE button so that "Udrt" is displayed, and press ENTER. Once you press ENTER "Udrt" will begin to flash, press ENTER again to clear the signal. **If you have any problems while attempting to set up a Wireless DMX signal, try clearing a signal.**
7. Use the controller's faders to control the various DMX fixture traits. This will allow you to create your own programs.
8. For help operating in DMX mode consult the manual included with your DMX controller.

## Event Cylinder DMX

## 1 Channel Mode

Channel	Value	Function
1	0 - 7	SHOWS BLACKOUT
	8 - 31	SHOW 1
	32 - 55	SHOW 2
	56 - 79	SHOW 3
	80 - 103	SHOW 4
	104 - 127	SHOW 5
	128 - 151	SHOW 6
	152 - 175	SHOW 7
	176 - 199	SHOW 8
	200 - 223	SHOW 9
	224 - 247	SHOW 10
248 - 255	SOUND ACTIVE	

## Event Cylinder DMX

## 3 Channel Mode

Channel	Value	Function
1	1 - 255	RED 0% - 100%
		GREEN 0% - 100%
2	1 - 255	BLUE 0% - 100%
		RED 0% - 100%
3	1 - 255	GREEN 0% - 100%
		BLUE 0% - 100%

## Event Cylinder DMX

## 4 Channel Mode

Channel	Value	Function
1	1 - 255	RED 0% - 100%
		GREEN 0% - 100%
2	1 - 255	BLUE 0% - 100%
		RED 0% - 100%
3	1 - 255	GREEN 0% - 100%
		BLUE 0% - 100%
4	1 - 255	MASTER DIMMER 0% - 100%
		RED 0% - 100%

Event Cylinder DMX		6 Channel Mode
Channel	Value	Function
1	1 - 255	RED 0% - 100%
2	1 - 255	GREEN 0% - 100%
3	1 - 255	BLUE 0% - 100%
4	0 - 7	COLOR MACROS BLACKOUT
	8 - 15	COLOR 1
	16 - 23	COLOR 2
	24 - 30	COLOR 3
	31 - 38	COLOR 4
	39 - 46	COLOR 5
	47 - 54	COLOR 6
	55 - 61	COLOR 7
	62 - 69	COLOR 8
	70 - 77	COLOR 9
	78 - 84	COLOR 10
	85 - 92	COLOR 11
	93 - 100	COLOR 12
	101 - 108	COLOR 13
	109 - 115	COLOR 14
	116 - 123	COLOR 15
	124 - 131	COLOR 16
	132 - 139	COLOR 17
	140 - 146	COLOR 18
	147 - 154	COLOR 19
	155 - 162	COLRO 20
	163 - 169	COLOR 21
	170 - 177	COLOR 22
	178 - 185	COLOR 23
	186 - 193	COLOR 24
	194 - 200	COLOR 25

Event Cylinder DMX		6 Channel Mode
Channel	Value	Function
4	201 - 208	COLOR 26
	209 - 216	COLOR 27
	217 - 223	COLOR 28
	224 - 231	COLOR 29
	232 - 239	COLOR 30
	240 - 247	COLOR 31
	248 - 255	COLOR 32
5	1 - 255	MASTER DIMMER 0% - 100%
6	0 - 7	STROBING OFF
	8 - 15	OPEN
	16 - 131	STROBING SLOW - FAST
	132 - 139	OPEN
	140 - 181	SLOW OPEN - FAST CLOSE
	182 - 189	OPEN
	190 - 231	SLOW CLOSE - FAST OPEN
	232 - 239	OPEN
	240 - 247	RANDOM STROBE
	248 - 255	OPEN



## Event Cylinder DMX

## Cleaning

**Fixture Cleaning:** Due to fog residue, smoke, and dust cleaning the internal and external optical lenses should be cleaned periodically to optimize light output. Cleaning frequency depends on the environment in which the fixture operates (i.e. smoke, fog residue, dust, dew). In heavy club use we recommend cleaning on a monthly basis. Periodic cleaning will ensure longevity, and crisp output.

1. Use normal glass cleaner and a soft cloth to wipe down the outside casing.
2. Always be sure to dry all parts completely before plugging the unit back in.

## Event Cylinder DMX

## Trouble Shooting

**Trouble Shooting:** Listed below are a few problems that you may encounter, with solutions.

### **No light output from the unit;**

1. Make sure the battery is charged.
2. If there is still no light output when your connected to the battery charger, switch battery chargers.

## Event Cylinder DMX

## Warranty

### 2-YEAR LIMITED WARRANTY

A. Elation® Architectural hereby warrants, to the original purchaser, Elation® Professionals® products to be free of manufacturing defects in material and workmanship for a period of two years (730 days) from the date of purchase. This warranty shall be valid only if the product is purchased within the United States of America, including possessions and territories. It is the owner's responsibility to establish the date and place of purchase by acceptable evidence, at the time service is sought.

B. For warranty service, send the product only to the Elation® Professionals® factory. All shipping charges must be pre-paid. If the requested repairs or service (including parts replacement) are within the terms of this warranty, Elation® Professionals® will pay return shipping charges only to a designated point within the United States. If the entire instrument is sent, it must be shipped in its original package. No accessories should be shipped with the product. If any accessories are shipped with the product, Elation® Professionals® shall have no liability whatsoever for loss of or damage to any such accessories, nor for the safe return thereof.

C. This warranty is void if the serial number has been altered or removed; if the product is modified in any manner which Elation® Professionals® concludes, after inspection, affects the reliability of the product; if the product has been repaired or serviced by anyone other than the Elation® Professionals® factory unless prior written authorization was issued to purchaser by Elation® Professionals®; if the product is damaged because not properly maintained as set forth in the User Manual.

D. This is not a service contract, and this warranty does not include maintenance, cleaning or periodic check-up. During the period specified above, Elation® Professionals® will replace defective parts at its expense, and will absorb all expenses for warranty service and repair labor by reason of defects in material or workmanship. The sole responsibility of Elation® Professionals® under this warranty shall be limited to the repair of the product, or replacement thereof, including parts, at the sole discretion of Elation® Professionals®. All products covered by this warranty were manufactured after January 1, 1990, and bear identifying marks to that effect.

E. Elation® Professionals® reserves the right to make changes in design and/or improvements upon its products without any obligation to include these changes in any products theretofore manufactured.

F. No warranty, whether expressed or implied, is given or made with respect to any accessory supplied with products described above. Except to the extent prohibited by applicable law, all implied warranties made by Elation® Professionals® in connection with this product, including warranties of merchantability or fitness, are limited in duration to the warranty period set forth above. And no warranties, whether expressed or implied, including warranties of merchantability or fitness, shall apply to this product after said period has expired. The consumer's and or Dealer's sole remedy shall be such repair or replacement as is expressly provided above; and under no circumstances shall Elation® Professionals® be liable for any loss or damage, direct or consequential, arising out of the use of, or inability to use, this product.

G. This warranty is the only written warranty applicable to Elation® Professionals® Products and supersedes all prior warranties and written descriptions of warranty terms and conditions heretofore published.

<b>Model:</b>	<b>Event Cylinder DMX</b>
<b>Power Supply:</b>	DC 12.6V 3A
<b>LEDs:</b>	72 x Tri Color LEDs
<b>IP Rating:</b>	IP65
<b>Power Consumption:</b>	13W
<b>Dimensions:</b>	12"(L) x 12"(H) x 7.25"(D) 304mm x 304mm x 183mm
<b>Weight:</b>	7.25 Lbs. / 3.2 kgs.
<b>Colors:</b>	RGB Color Mixing
<b>Duty Cycle:</b>	None
<b>DMX:</b>	4 DMX Modes: 1 Channel Mode, 3 Channel Mode, 4 Channel Mode, & 6 Channel Mode
<b>Sound Active:</b>	Yes
<b>Working Position:</b>	Any Safe, Secure Position
<b>Warranty:</b>	2 Year (730 days)

**Please Note:** Specifications and improvements in the design of this unit and this manual are subject to change without any prior written notice.

©Elation Professionals®

A Division of the AmericanDJ® Group of Companies

World Headquarters:

6122 S. Eastern Ave. Los Angeles, CA 90040 USA

Tel: 323-582-3322 Fax: 323-832-9142

Web: [www.elationlighting.com](http://www.elationlighting.com) E-mail: [info@elationlighting.com](mailto:info@elationlighting.com)

American DJ Europe

Junostraat 2

6468 EW Kerkrade

Netherlands

[service@adjgroup.eu](mailto:service@adjgroup.eu) / [www.americandj.eu](http://www.americandj.eu)

Tel: +31 45 546 85 00 / Fax: +31 45 546 85 99